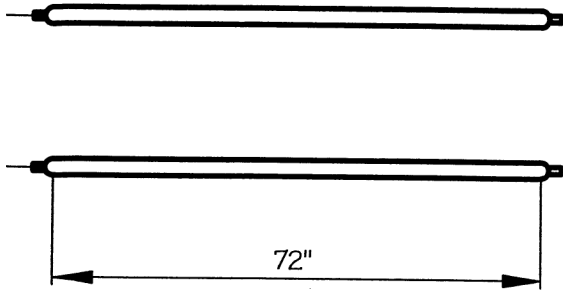




**ARIZONA**  
CORRECTIONAL  
INDUSTRIES

**MPDC-5015 Hand-Walk Station**

**Exercise  
Equipment**

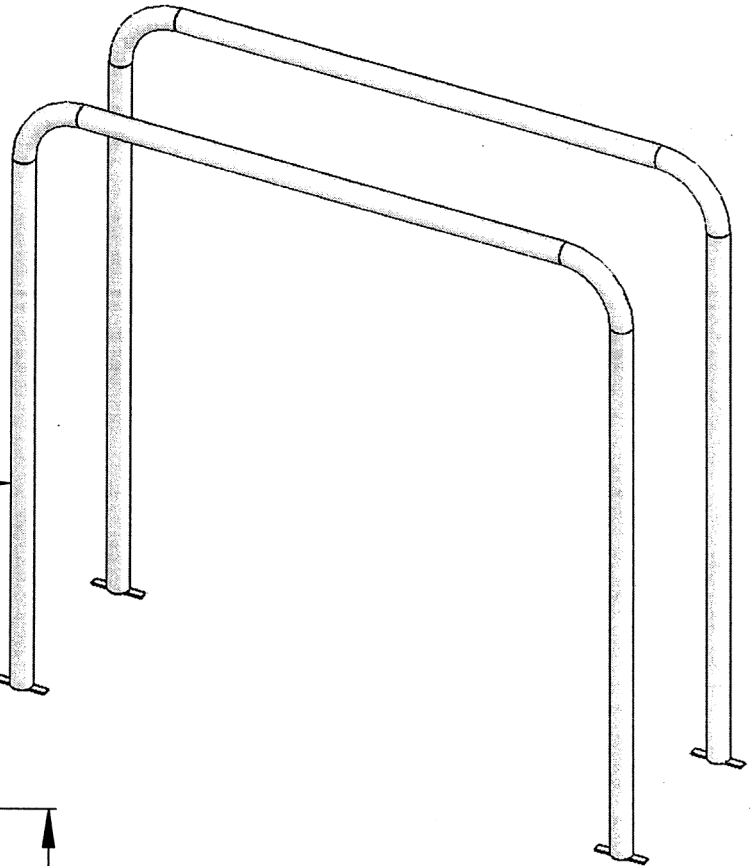


**Plan View**

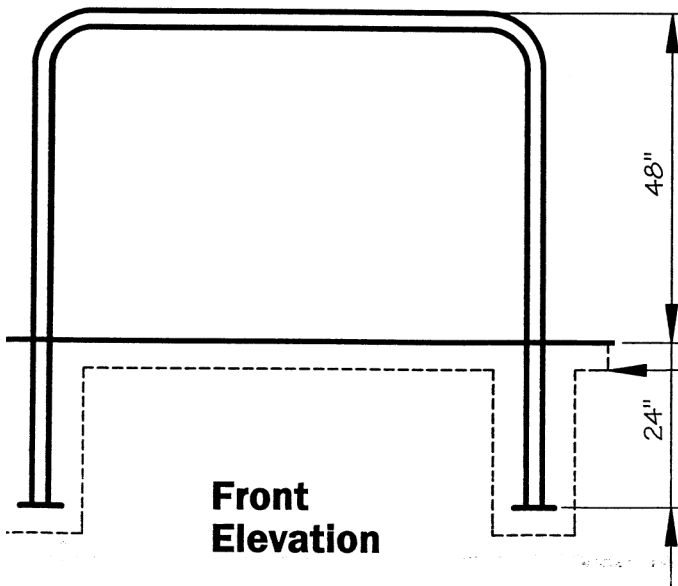


2"  $\varnothing$  Sch.40  
steel pipe

10 Ga. steel  
anchor straps



**Isometric View of  
Parallel Bars**



**Front  
Elevation**

Concrete footings & slab  
must be provided by the  
customer.

