

Description: **Custom Steel Bench**

Date: **7/13/12**

Product No.

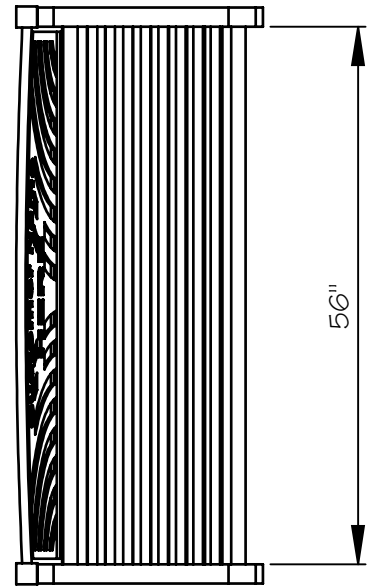
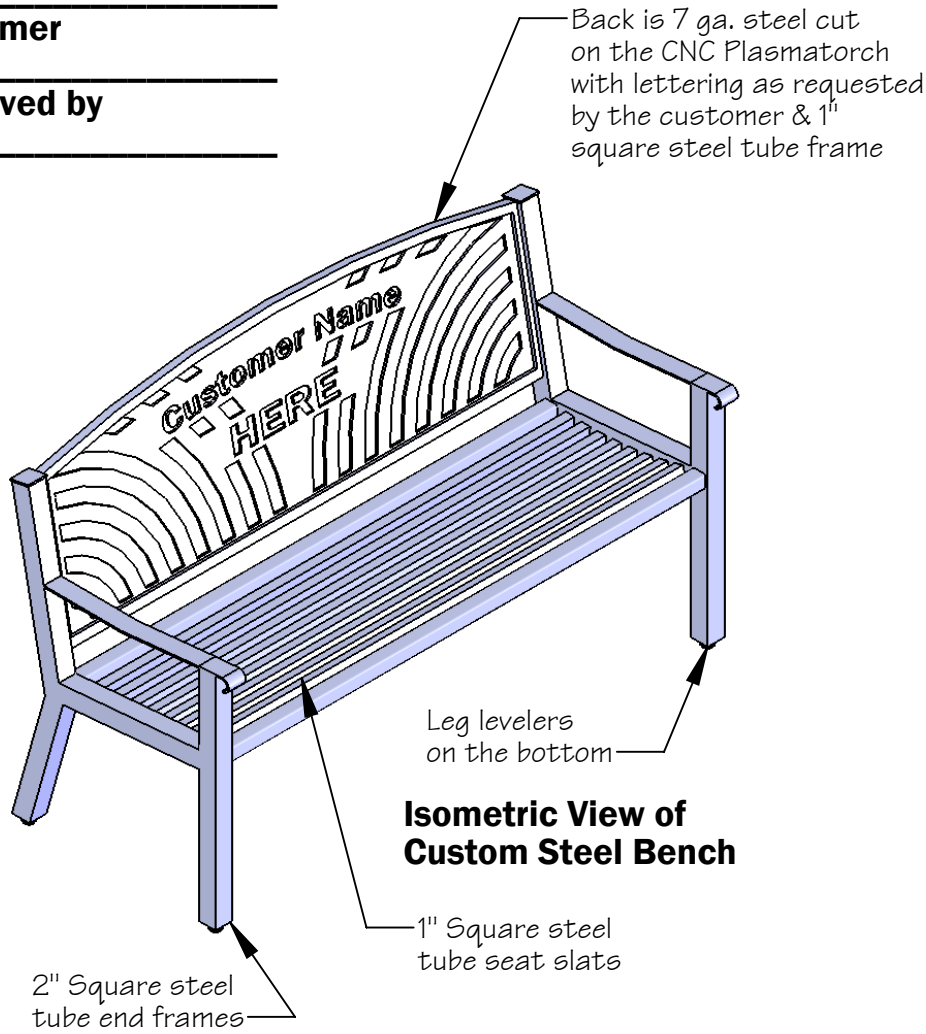
Quote No.

W.O./S.O. no.

Customer

Approved by

Date:



Elevations

